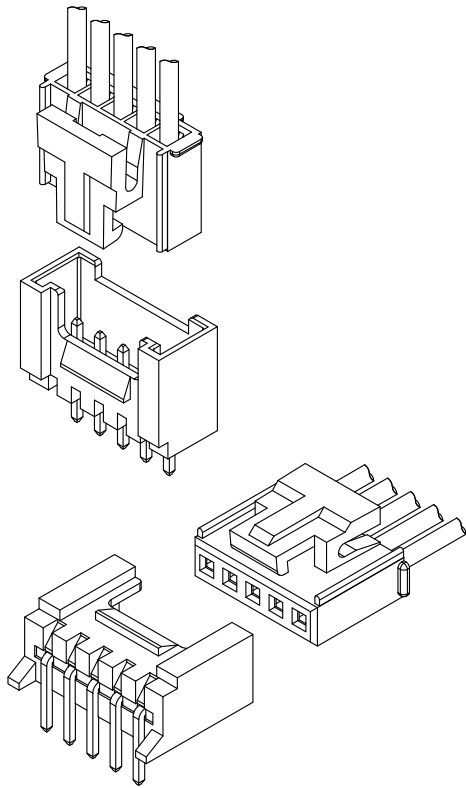


A2003 YH CONNECTOR

2.00mm Pitch/Disconnectable Crimp style connectors



- Secure locking structure
- Low insertion force
- Suction area for picking up
- Improvement of engagement with prying

Specifications:

- Current rating: 3.0 A / AC,DC (AWG #22)
- Voltage rating: 250 V AC/DC
- Temperature range: -25°C ~ +105°C
(including temperature rise in applying electrical current)
- Contact resistance: Initial value/ 30m Ω max
Insulation resistance: 1000 MΩ min
Withstanding voltage: 1000 VAC/minute
Applicable wire: Conductor size/ AWG#30~#22
Insulation O.D./ 0.60 to 1.45 mm
- * Compliant with RoHS2/ REACH/ HF
- * Refer to "General Instruction and Notice when using Terminals and Connectors"
- * Contact CSG for details

Material:

Housing: PA66/UL94-V0;Color:White

Terminal: Phosphor/ Tin-plated

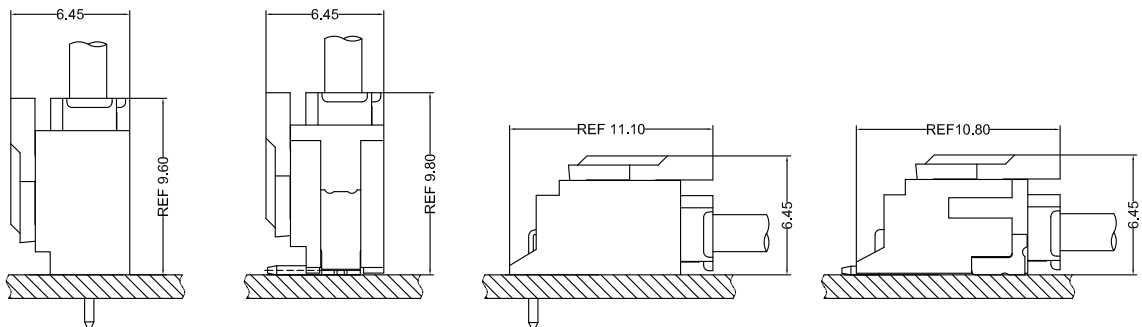
DIP Wafer Housing: PA66/ 46,UL94-V0;Color:White/ Natural

DIP Wafer Pin: Brass/ Tin-plated

SMT Wafer Housing: LCP,UL94-V0;Color:Natural

SMT Wafer Pin: Brass/ Tin-plated

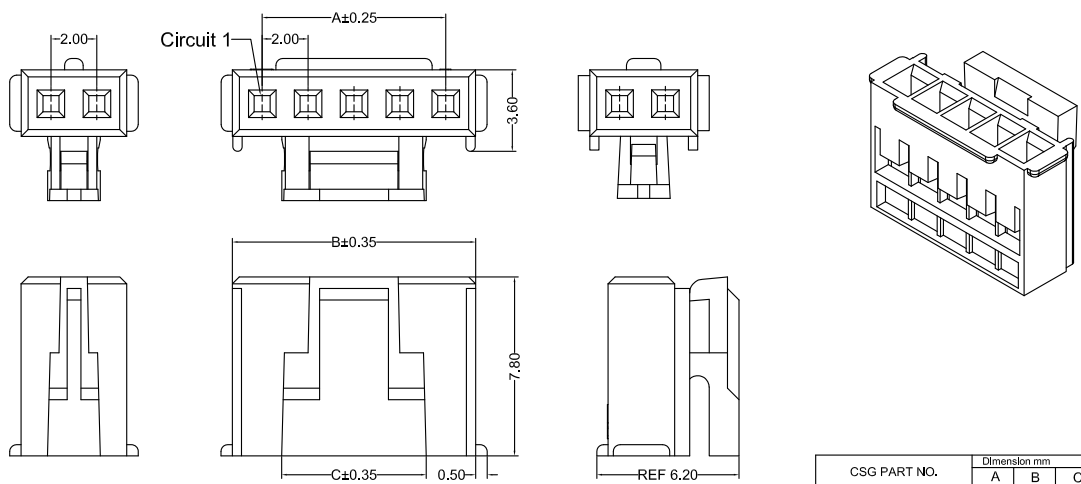
SMT Wafer Fixed Foot: Brass/ Tin-plated



- Note: 1. The above figure is the figure viewed from the connector mounting side.
2. Tolerances are non-cumulative: ± 0.08 mm for all centers.
3. The dimensions above should serve as a guideline. Contact CSG for details.

CSG

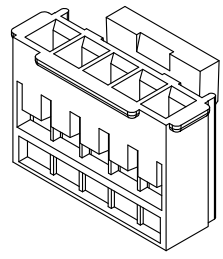
A2003 YH



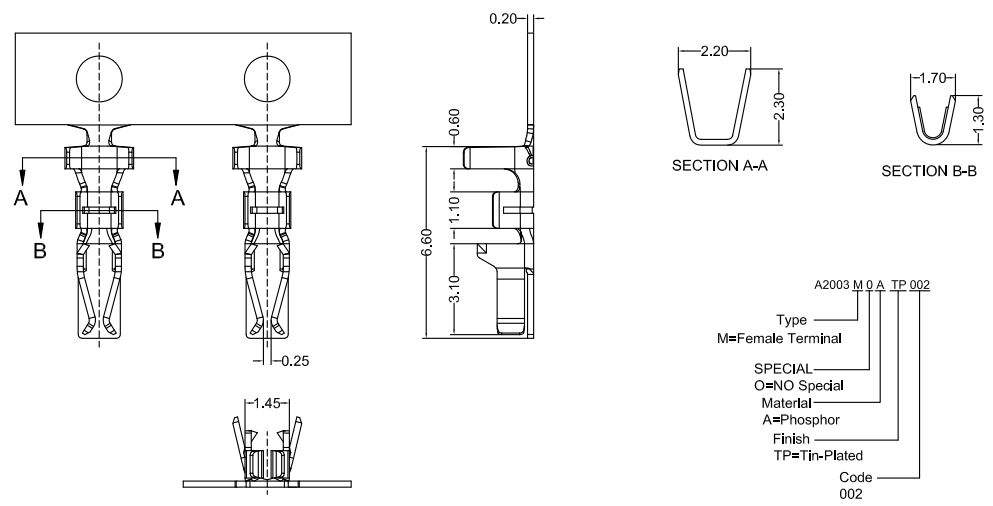
2~3P

4~16P

A2003HF 0XX AK P6 9 005
 005=5PINS
 SPECIAL
 AK=BUCKLE
 Material
 P6=PA66 94V-0
 Code
 005
 Color
 9=White



CSG PART NO.	Dimension mm			Q'ty/BAG
	A	B	C	
A2003HF002AKP69005	2.00	4.70	2.30	1000PCS
A2003HF003AKP69005	4.00	6.70	2.30	1000PCS
A2003HF004AKP69005	6.00	8.70	4.30	1000PCS
A2003HF005AKP69005	8.00	10.70	6.50	1000PCS
A2003HF006AKP69005	10.00	12.70	6.50	1000PCS
A2003HF007AKP69005	12.00	14.70	6.50	1000PCS
A2003HF008AKP69005	14.00	16.70	6.50	1000PCS
A2003HF009AKP69005	16.00	18.70	6.50	1000PCS
A2003HF010AKP69005	18.00	20.70	14.30	1000PCS
A2003HF011AKP69005	20.00	22.70	14.30	1000PCS
A2003HF012AKP69005	22.00	24.70	14.30	1000PCS
A2003HF013AKP69005	24.00	26.70	14.30	1000PCS
A2003HF014AKP69005	26.00	28.70	14.30	1000PCS
A2003HF015AKP69005	28.00	30.70	14.30	1000PCS
A2003HF016AKP69005	30.00	32.70	14.30	1000PCS

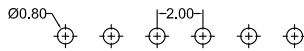
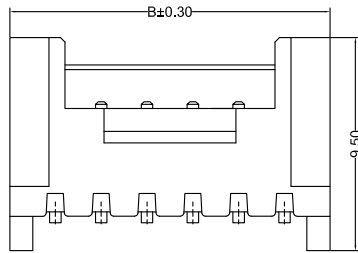
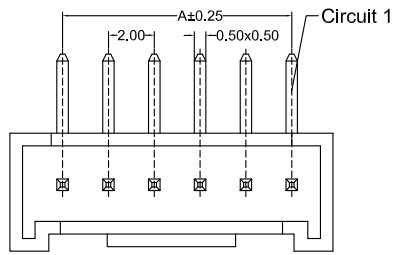


A2003 M O A TP 002
 Type
 M=Female Terminal
 SPECIAL
 O=NO Special
 Material
 A=Phosphor
 Finish
 TP=Tin-Plated
 Code
 002

CSG PART NO.	Wire Range	Insulation O.D.	Q'ty/Reel
A2003M0ATP002	AWG#22-#30	1.45mm(max)	14000PCS

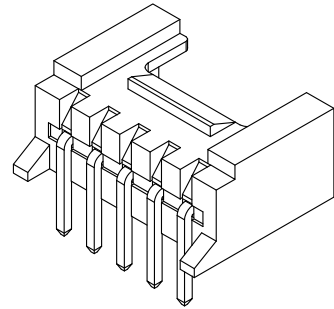


A2003 YH

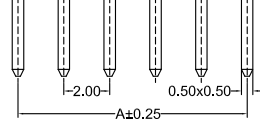
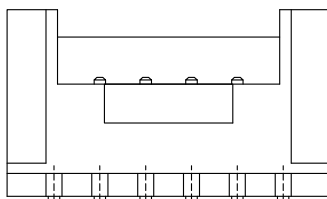
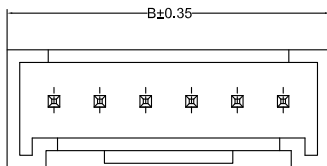


Recommended P.C.B Layout
General Tolerance±0.05

A2003RD_0XX AA P6 TP C 9 008
 PIN 002=2PINS
 SPECIAL AA=NO Special
 Material P6=PA66 94V-0
 Finish TP=Terminal Tin-Plated
 Code 008
 Color 9=White
 Packing C=Bag

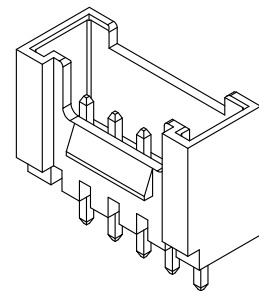


CSG PART NO.	Dimension mm		Q'ty/BAG
	A	B	
A2003RD002AAP6TPC9008	2.00	6.10	1000PCS
A2003RD003AAP6TPC9008	4.00	8.10	1000PCS
A2003RD004AAP6TPC9008	6.00	10.10	1000PCS
A2003RD005AAP6TPC9008	8.00	12.10	1000PCS
A2003RD006AAP6TPC9008	10.00	14.10	1000PCS
A2003RD007AAP6TPC9008	12.00	16.10	1000PCS
A2003RD008AAP6TPC9008	14.00	18.10	1000PCS
A2003RD009AAP6TPC9008	16.00	20.10	1000PCS
A2003RD010AAP6TPC9008	18.00	22.10	1000PCS
A2003RD011AAP6TPC9008	20.00	24.10	1000PCS
A2003RD012AAP6TPC9008	22.00	26.10	1000PCS
A2003RD013AAP6TPC9008	24.00	28.10	1000PCS
A2003RD014AAP6TPC9008	26.00	30.10	1000PCS
A2003RD015AAP6TPC9008	28.00	32.10	1000PCS
A2003RD016AAP6TPC9008	30.00	34.10	1000PCS



Recommended P.C.B Layout
General Tolerance±0.05

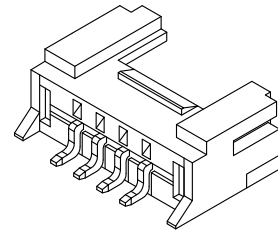
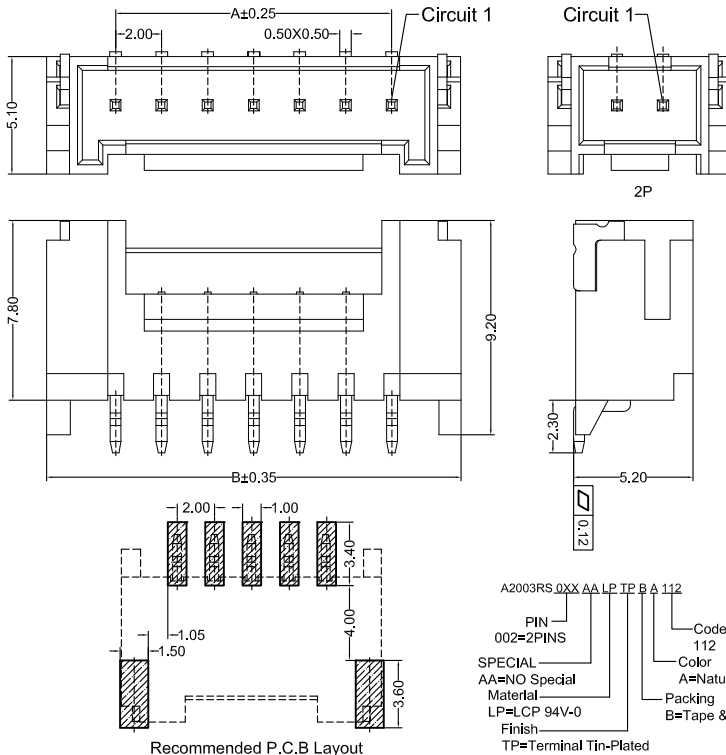
A2003VD_0XX AA P4 TP C X XXX
 PIN 002=2PINS
 SPECIAL AA=NO Special
 Material P4=PA46 94V-0
 Finish TP=Terminal Tin-Plated
 Code 008
 Color 9=White
 Packing C=Bag



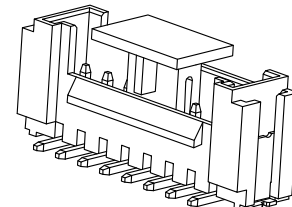
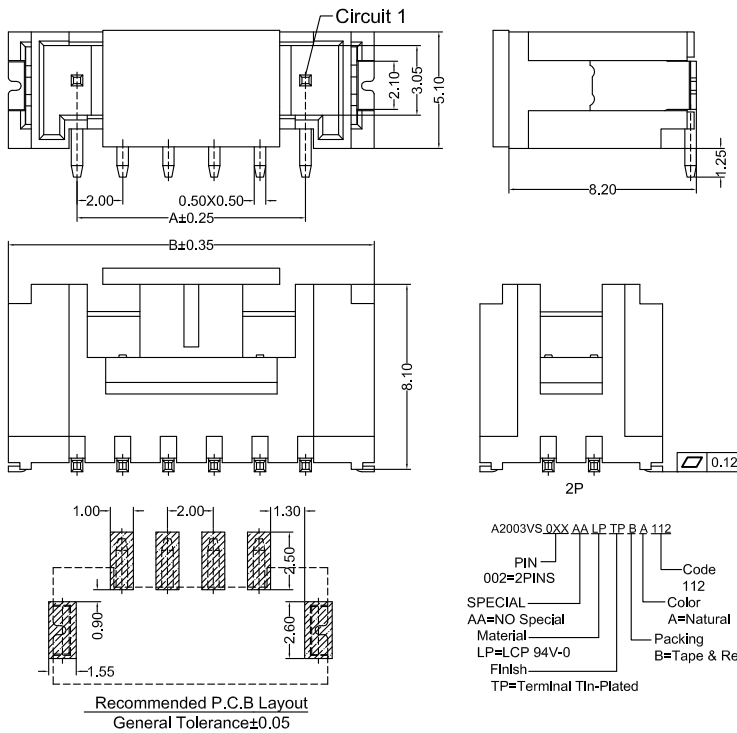
CSG PART NO.	Dimension mm		Q'ty/BAG
	A	B	
A2003VD002AAPXTPCXXXX	2.00	6.00	1000PCS
A2003VD003AAPXTPCXXXX	4.00	8.00	1000PCS
A2003VD004AAPXTPCXXXX	6.00	10.00	1000PCS
A2003VD005AAPXTPCXXS	8.00	12.00	1000PCS
A2003VD006AAPXTPCXXXX	10.00	14.00	1000PCS
A2003VD007AAPXTPCXXXX	12.00	16.00	1000PCS
A2003VD008AAPXTPCXXXX	14.00	18.00	1000PCS
A2003VD009AAPXTPCXXXX	16.00	20.00	1000PCS
A2003VD010AAPXTPCXXXX	18.00	22.00	1000PCS
A2003VD011AAPXTPCXXXX	20.00	24.00	1000PCS
A2003VD012AAPXTPCXXXX	22.00	26.00	1000PCS
A2003VD013AAPXTPCXXXX	24.00	28.00	1000PCS
A2003VD014AAPXTPCXXXX	26.00	30.00	1000PCS
A2003VD015AAPXTPCXXXX	28.00	32.00	1000PCS
A2003VD016AAPXTPCXXXX	30.00	34.00	1000PCS



A2003 YH



CSG PART NO.	Dimension mm		Q'ty/Reel
	A	B	
A2003RS002AALTPBA112	2.00	7.80	800PCS
A2003RS003AALTPBA112	4.00	9.80	800PCS
A2003RS004AALTPBA112	6.00	11.80	800PCS
A2003RS005AALTPBA112	8.00	13.80	800PCS
A2003RS006AALTPBA112	10.00	15.80	800PCS
A2003RS007AALTPBA112	12.00	17.80	800PCS
A2003RS008AALTPBA112	14.00	19.80	800PCS
A2003RS009AALTPBA112	16.00	21.80	800PCS
A2003RS010AALTPBA112	18.00	23.80	800PCS
A2003RS011AALTPBA112	20.00	25.80	800PCS
A2003RS012AALTPBA112	22.00	27.80	800PCS
A2003RS013AALTPBA112	24.00	29.80	800PCS
A2003RS014AALTPBA112	26.00	31.80	800PCS
A2003RS015AALTPBA112	28.00	33.80	800PCS
A2003RS016AALTPBA112	30.00	35.80	800PCS



CSG PART NO.	Dimension mm		Q'ty/Reel
	A	B	
A2003VS002AALTPBA112	2.00	8.00	600PCS
A2003VS003AALTPBA112	4.00	10.00	600PCS
A2003VS004AALTPBA112	6.00	12.00	600PCS
A2003VS005AALTPBA112	8.00	14.00	600PCS
A2003VS006AALTPBA112	10.00	16.00	600PCS
A2003VS007AALTPBA112	12.00	18.00	600PCS
A2003VS008AALTPBA112	14.00	20.00	600PCS
A2003VS009AALTPBA112	16.00	22.00	600PCS
A2003VS010AALTPBA112	18.00	24.00	600PCS
A2003VS011AALTPBA112	20.00	26.00	600PCS
A2003VS012AALTPBA112	22.00	28.00	600PCS
A2003VS013AALTPBA112	24.00	30.00	600PCS
A2003VS014AALTPBA112	26.00	32.00	600PCS
A2003VS015AALTPBA112	28.00	34.00	600PCS
A2003VS016AALTPBA112	30.00	36.00	600PCS

