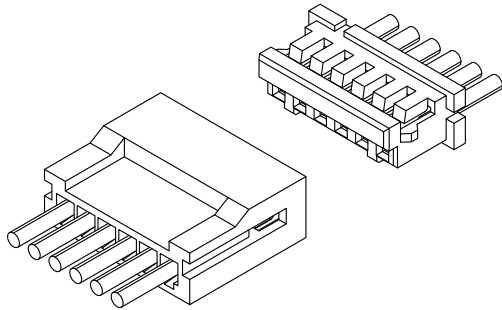


# A2012 DF3 CONNECTOR

2.00mm Pitch/Disconnectable Crimp style connectors



 E529482

- Secure locking structure
- Low insertion force
- Suction area for picking up
- Improvement of engagement with prying

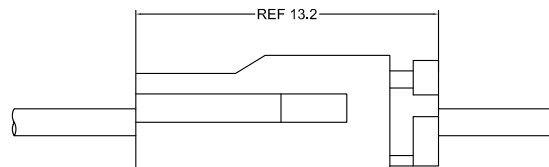
## Specifications:

- Current rating: 2.0 A / AC,DC (AWG #24)
- Voltage rating: 250 V AC/DC
- Temperature range:  $-40^{\circ}\text{C} \sim +105^{\circ}\text{C}$   
(including temperature rise in applying electrical current)
- Contact resistance: Initial value/  $30\text{m}\Omega$  max  
Insulation resistance:  $1000\text{M}\Omega$  min  
Withstanding voltage: 800 VAC/minute  
Applicable wire: Conductor size/ AWG#28~#24  
Insulation O.D./ 0.80 to 1.40 mm
- \* Compliant with RoHS2/ HF/ REACH
- \* Refer to "General Instruction and Notice when using Terminals and Connectors"
- \* Contact CSG for details

Material:

Housing: PA66 UL94-V0;Color:Black

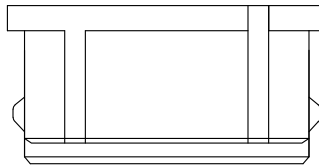
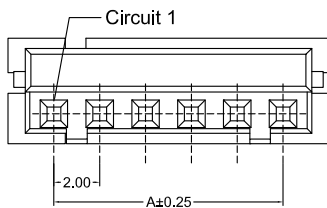
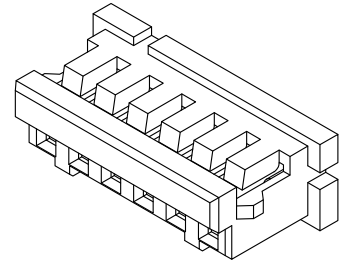
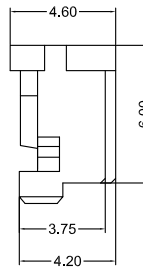
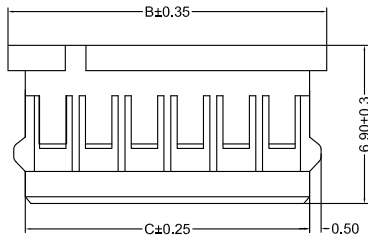
Terminal: Phosphor/ Tin-plated



- Note: 1. The above figure is the figure viewed from the connector mounting side.  
2. Tolerances are non-cumulative:  $\pm 0.08$  mm for all centers.  
3. The dimensions above should serve as a guideline. Contact CSG for details.

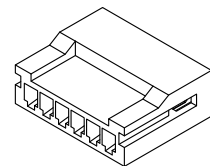
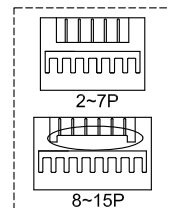
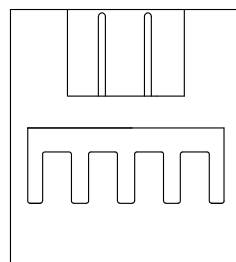
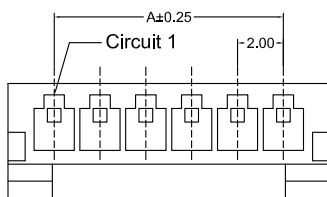
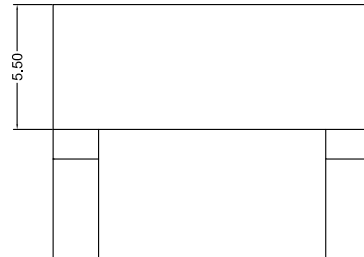
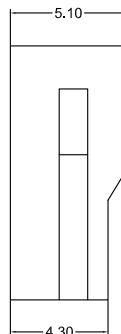
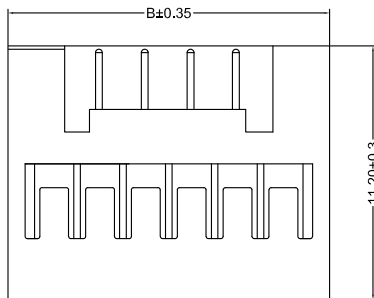
**CSG**

# A2012 DF3



A2012HF 0XX AA P6 0 209  
 PIN 002=2PINS  
 SPECIAL AA=NO Special  
 Material P6=PA66 94V-0  
 Code 209  
 Color 0=Black

CSG PART NO.	Dimension mm		Q'ty/BAG
	A	B	
A2012HF002AAP60209	2.00	6.00	1000PCS
A2012HF003AAP60209	4.00	8.00	1000PCS
A2012HF004AAP60209	6.00	10.00	1000PCS
A2012HF005AAP60209	8.00	12.00	1000PCS
A2012HF006AAP60209	10.00	14.00	1000PCS
A2012HF007AAP60209	12.00	16.00	1000PCS
A2012HF008AAP60209	14.00	18.00	1000PCS
A2012HF009AAP60209	16.00	20.00	1000PCS
A2012HF010AAP60209	18.00	22.00	1000PCS
A2012HF011AAP60209	20.00	24.00	1000PCS
A2012HF012AAP60209	22.00	26.00	1000PCS
A2012HF013AAP60209	24.00	28.00	1000PCS
A2012HF014AAP60209	26.00	30.00	1000PCS
A2012HF015AAP60209	28.00	32.00	1000PCS



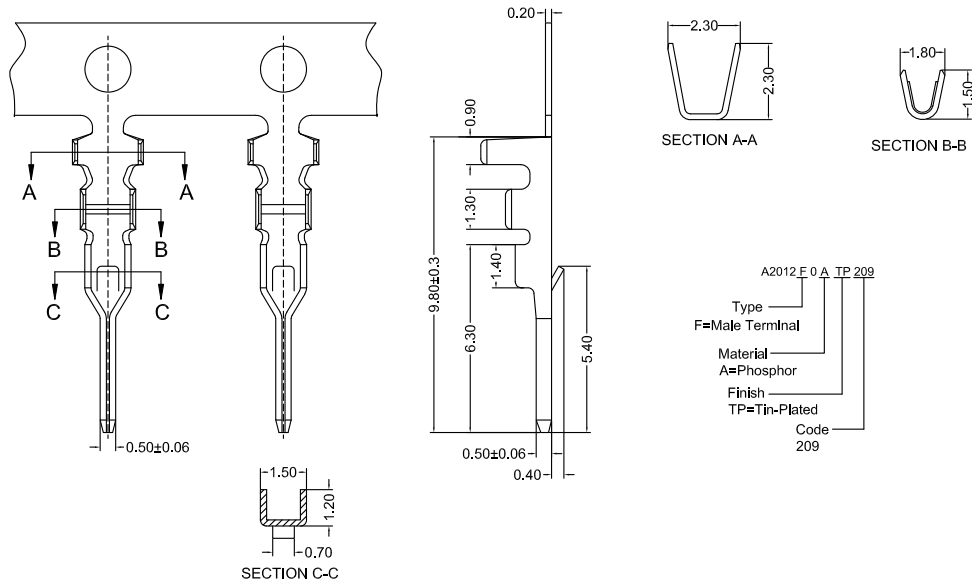
2~4P

A2012HM 0XX AA P6 0 209  
 PIN 002=2PINS  
 SPECIAL AA=NO Special  
 Material P6=PA66 94V-0  
 Code 209  
 Color 0=Black

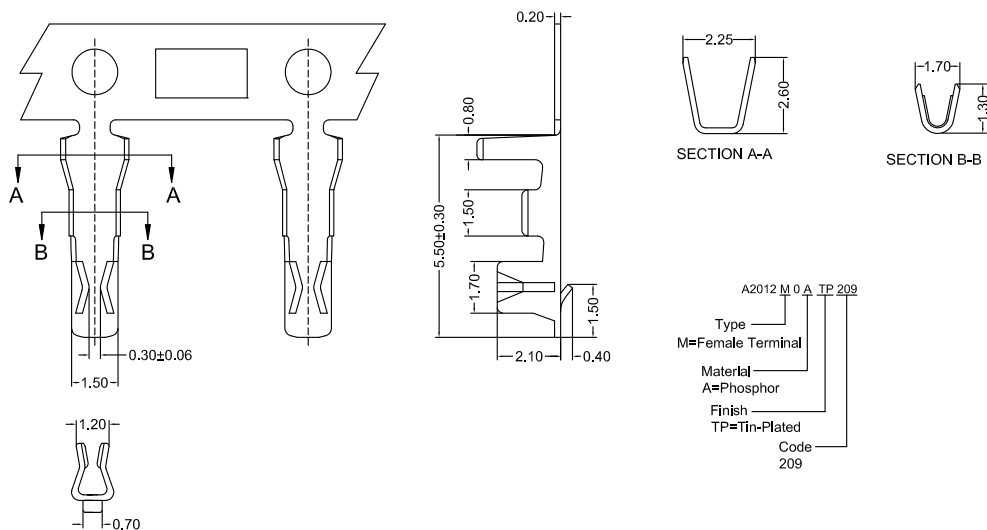
CSG PART NO.	Dimension mm		Q'ty/BAG
	A	B	
A2012HM002AAP60209	2.00	6.00	1000PCS
A2012HM003AAP60209	4.00	8.00	1000PCS
A2012HM004AAP60209	6.00	10.00	1000PCS
A2012HM005AAP60209	8.00	12.00	1000PCS
A2012HM006AAP60209	10.00	14.00	1000PCS
A2012HM007AAP60209	12.00	16.00	1000PCS
A2012HM008AAP60209	14.00	18.00	1000PCS
A2012HM009AAP60209	16.00	20.00	1000PCS
A2012HM010AAP60209	18.00	22.00	1000PCS
A2012HM011AAP60209	20.00	24.00	1000PCS
A2012HM012AAP60209	22.00	26.00	1000PCS
A2012HM013AAP60209	24.00	28.00	1000PCS
A2012HM014AAP60209	26.00	30.00	1000PCS
A2012HM015AAP60209	28.00	32.00	1000PCS



# A2012 DF3



CSG PART NO.	Wire Range	Insulation O.D.	Q'ty/Reel
A2012F0ATP209	AWG#24-#28	1.40mm(max)	12000PCS



CSG PART NO.	Wire Range	Insulation O.D.	Q'ty/Reel
A2012M0ATP209	AWG#24-#28	1.40mm(max)	12000PCS

