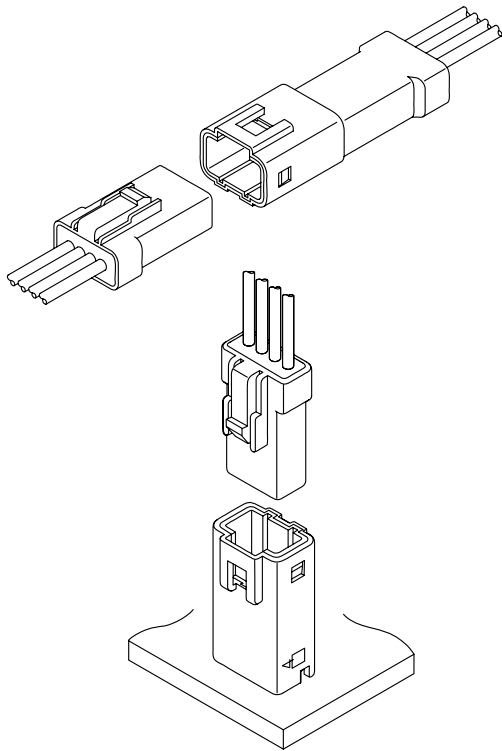


A2007 JWPF CONNECTOR

2.00mm Pitch/Disconnectable Crimp style connectors



RI E529482

- Secure locking structure
- Low insertion force
- Suction area for picking up
- Improvement of engagement with prying

Specifications:

- Current rating: 3.0 A / AC,DC (AWG #24)
- Voltage rating: 100 V AC/DC
- Temperature range: -55°C ~ +105°C
(including temperature rise in applying electrical current)
- Contact resistance: Initial value/ 20m Ω max
Insulation resistance: 1000 M Ω min
Withstanding voltage: 1000 VAC/minute
Applicable wire: Conductor size/ AWG#26~#22
Insulation O.D./ 1.40 to 1.70 mm

- * Compliant with RoHS2/ REACH
- * Refer to "General Instruction and Notice when using Terminals and Connectors"
- * Contact CSG for details

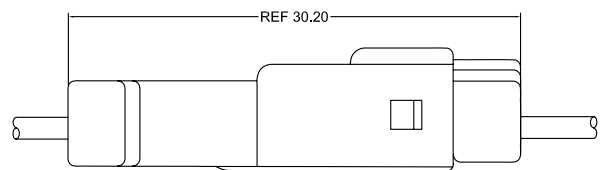
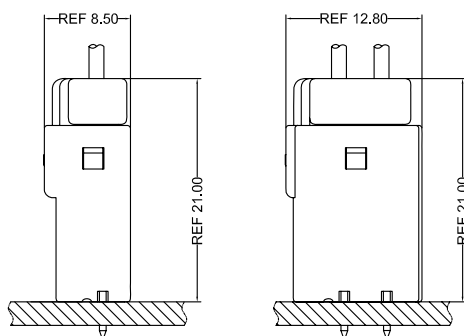
Material:

Housing: PBT/UL94-V0;Color:White

Terminal: Phosphor/ Tin-plated

DIP Wafer Housing: PA66,UL94-V0;Color:Beige

DIP Wafer Pin: Brass/ Tin-plated

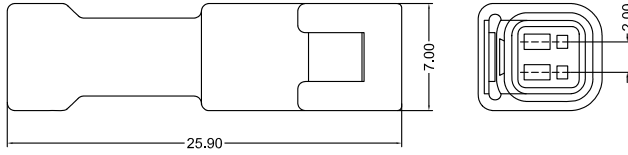


- Note: 1. The above figure is the figure viewed from the connector mounting side.
2. Tolerances are non-cumulative: ± 0.08 mm for all centers.
3. The dimensions above should serve as a guideline. Contact CSG for details.

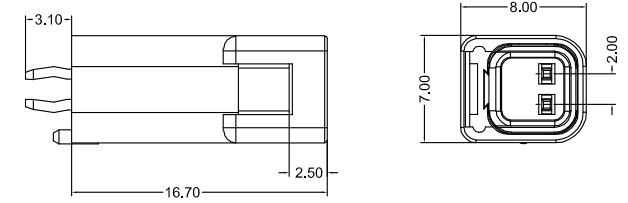
CSG

A2007 JWPF

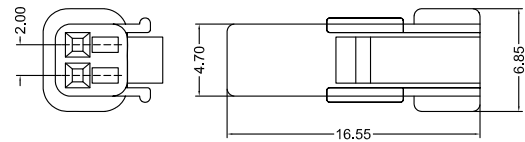
A2007HM002AAPB9001



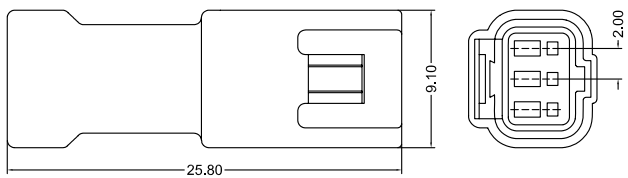
A2007VD002AAPBTPC9001



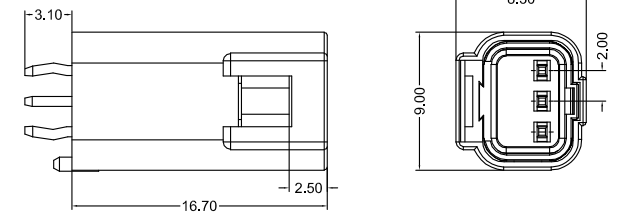
A2007HF002AKPB9001



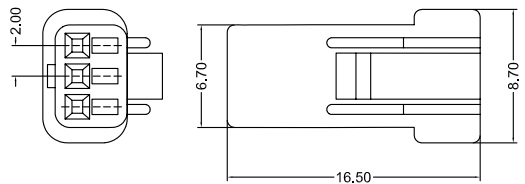
A2007HM003AAPB9001



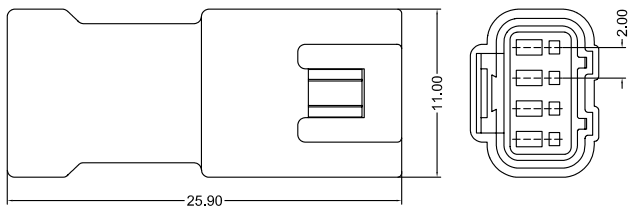
A2007VD003AAPBTPC9001



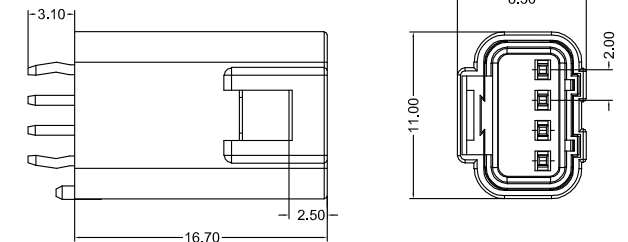
A2007HF003AKPB9001



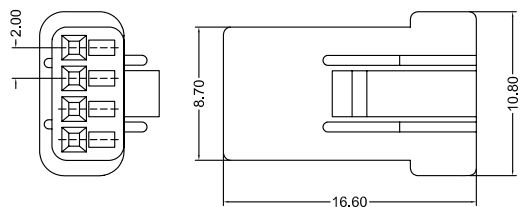
A2007HM004AAPB9001



A2007VD004AAPBTPC9001

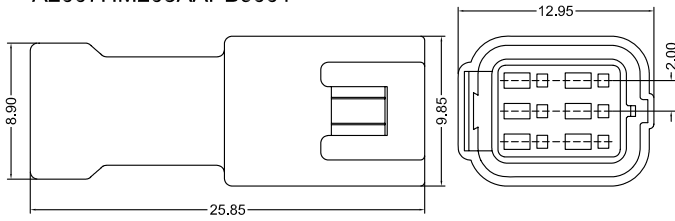


A2007HF004AKPB9001

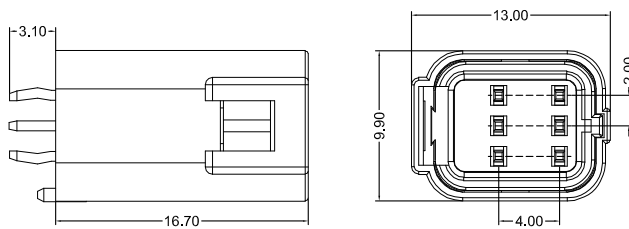


A2007 JWPF

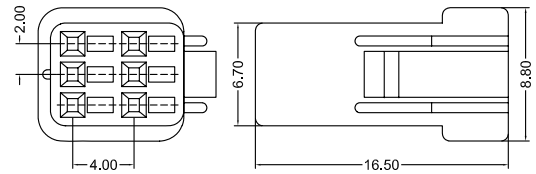
A2007HM203AAPB9001



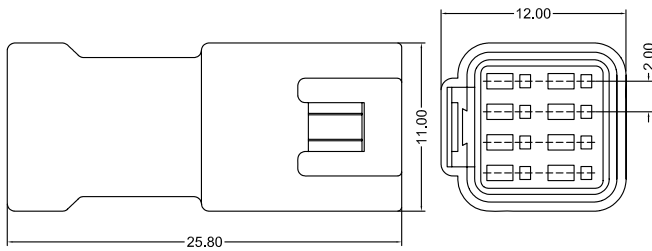
A2007VD203AAPBTPC9001



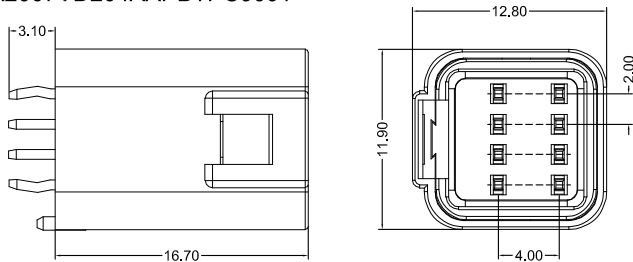
A2007HF203AKPB9001



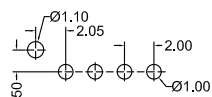
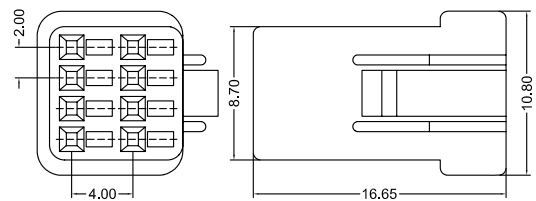
A2007HM204AAPB9001



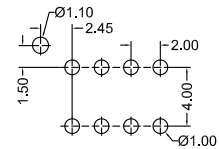
A2007VD204AAPBTPC9001



A2007HF204AKPB9001

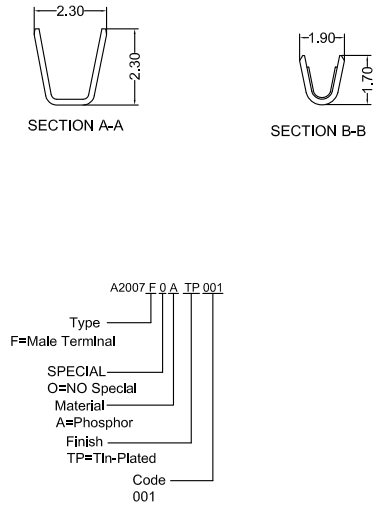
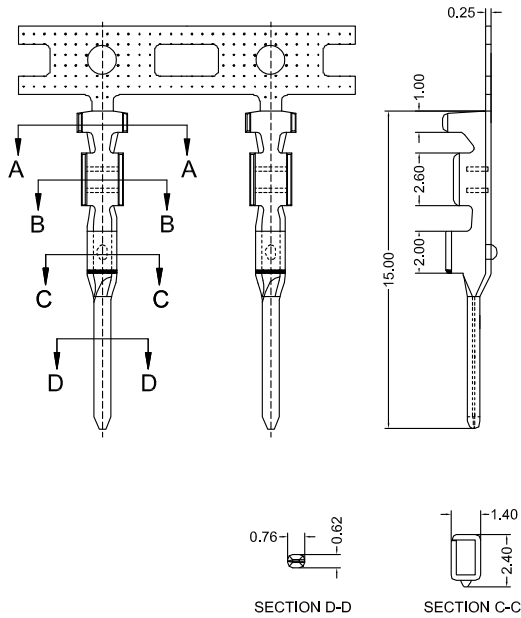


Recommended P.C.B Layout
General Tolerance ± 0.05

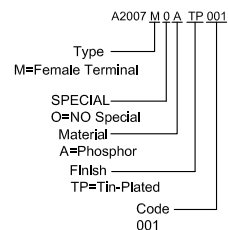
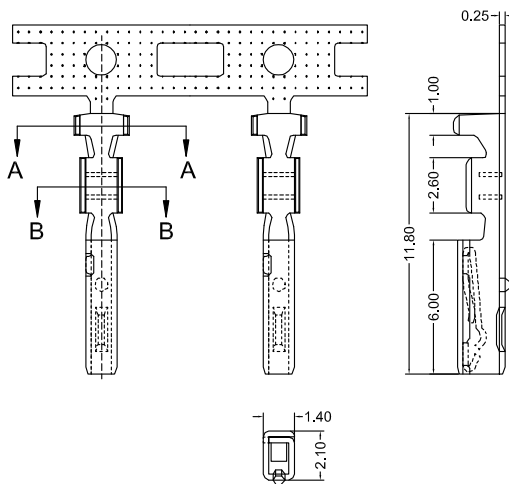


Recommended P.C.B Layout
General Tolerance ± 0.05

A2007 JWPF



CSG PART NO.	Wire Range	Insulation O.D.	Q'ty/Reel
A2007F0ATP001	AWG#22-#26	1.70mm(max)	10000PCS



CSG PART NO.	Wire Range	Insulation O.D.	Q'ty/Reel
A2007M0ATP001	AWG#22-#26	1.70mm(max)	10000PCS

