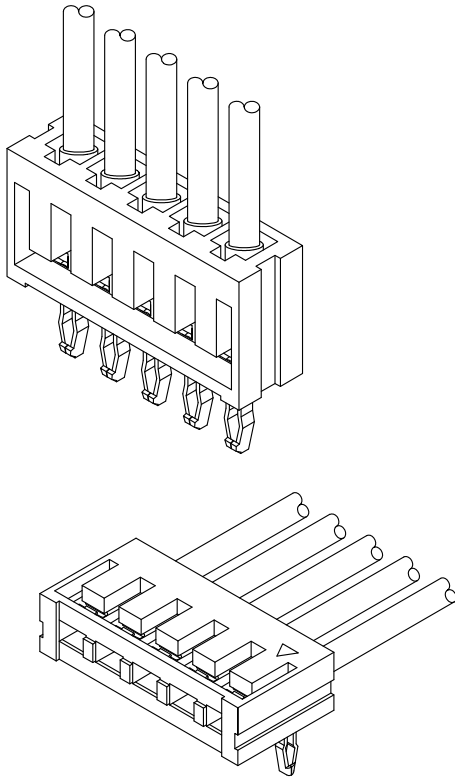


B2500 SCN CONNECTOR

2.50mm Pitch Board-in connectors



- Secure locking structure
- Low insertion force
- Suction area for picking up
- Improvement of engagement with prying

Specifications:

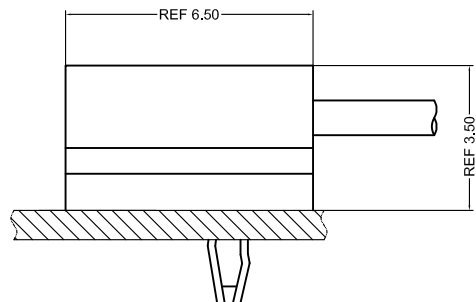
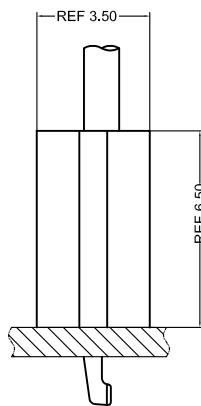
- Current rating: 3.0 A / AC,DC (AWG #22)
- Voltage rating: 250 V AC/DC
- Temperature range: -40°C ~ +105°C
(including temperature rise in applying electrical current)
- Contact resistance: Initial value/ 20m Ω max
Insulation resistance: 1000 M Ω min
Withstanding voltage: 800 VAC/minute
Applicable wire: Conductor size/ AWG#22~#28
Insulation O.D./ 0.70 to 1.70 mm

- * Compliant with RoHS2/ REACH
- * Refer to "General Instruction and Notice when using Terminals and Connectors"
- * Contact CSG for details

Material:

Housing: PA66/UL94-V0;Color:White

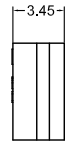
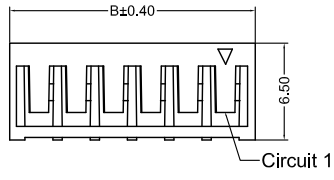
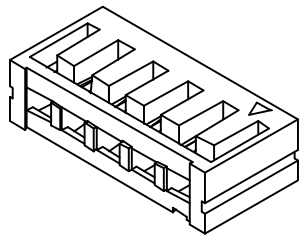
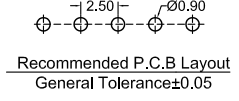
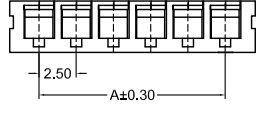
Terminal: Phosphor/ Tin-plated



- Note: 1. The above figure is the figure viewed from the connector mounting side.
2. Tolerances are non-cumulative: ± 0.08 mm for all centers.
3. The dimensions above should serve as a guideline. Contact CSG for details.

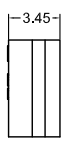
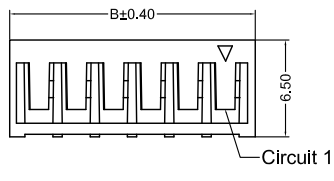
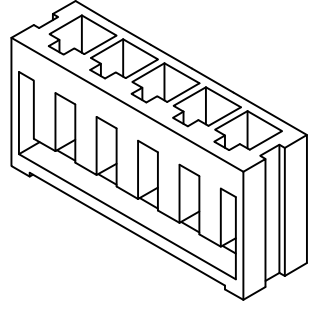
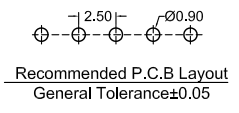
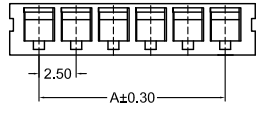
CSG

B2500 SCN



B2500HM 0XX AN P6 9 008
 PIN 005=5PINS
 SPECIAL AN=90°
 Material P6=PA66 94V-0
 Code 008
 Color 9=White

CSG PART NO.	Dimension mm		Q'ty/BAG
	A	B	
B2500HM002ANP69008	2.50	6.00	1000PCS
B2500HM003ANP69008	5.00	8.50	1000PCS
B2500HM004ANP69008	7.50	11.00	1000PCS
B2500HM005ANP69008	10.00	13.50	1000PCS
B2500HM006ANP69008	12.50	16.00	1000PCS
B2500HM007ANP69008	15.00	18.50	1000PCS
B2500HM008ANP69008	17.50	21.00	1000PCS
B2500HM009ANP69008	20.00	23.50	1000PCS
B2500HM010ANP69008	22.50	26.00	1000PCS
B2500HM011ANP69008	25.00	28.50	1000PCS
B2500HM012ANP69008	27.50	31.00	1000PCS
B2500HM013ANP69008	30.00	33.50	1000PCS
B2500HM014ANP69008	32.50	36.00	1000PCS
B2500HM015ANP69008	35.00	38.50	1000PCS
B2500HM016ANP69008	37.50	41.00	1000PCS

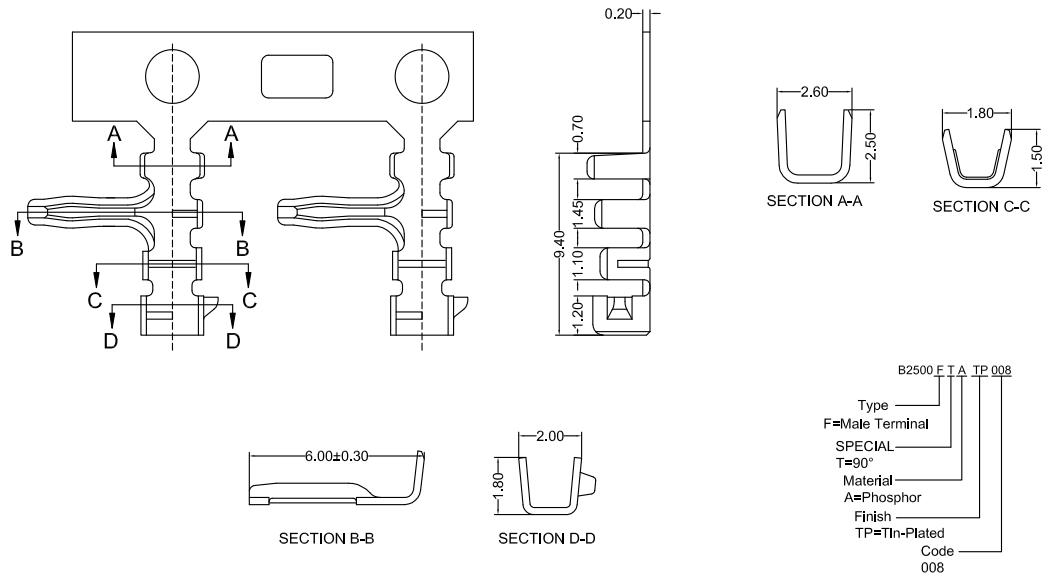


B2500HM 0XX AM P6 9 008
 PIN 005=5PINS
 SPECIAL AM=180°
 Material P6=PA66 94V-0
 Code 008
 Color 9=White

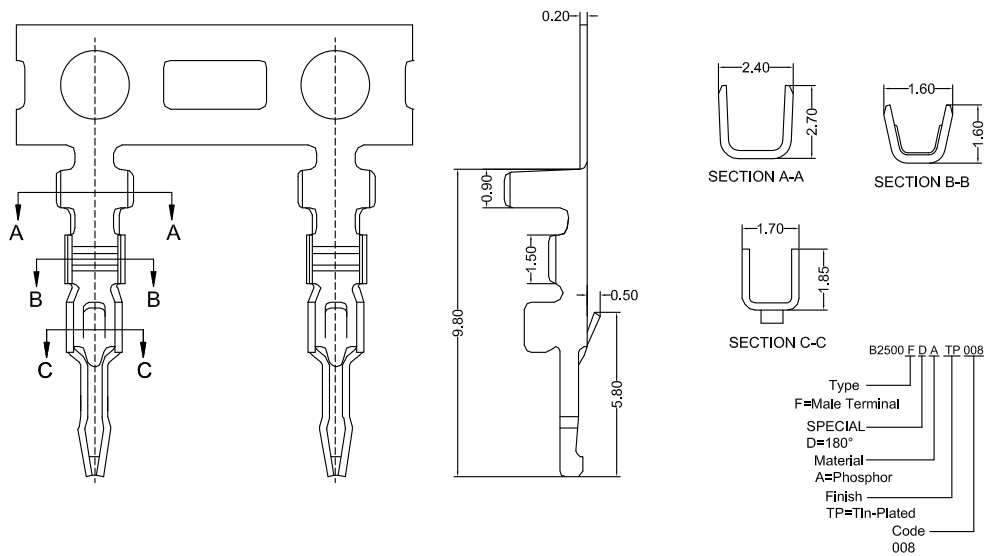
CSG PART NO.	Dimension mm		Q'ty/BAG
	A	B	
B2500HM002AMP69008	2.50	6.00	1000PCS
B2500HM003AMP69008	5.00	8.50	1000PCS
B2500HM004AMP69008	7.50	11.00	1000PCS
B2500HM005AMP69008	10.00	13.50	1000PCS
B2500HM006AMP69008	12.50	16.00	1000PCS
B2500HM007AMP69008	15.00	18.50	1000PCS
B2500HM008AMP69008	17.50	21.00	1000PCS
B2500HM009AMP69008	20.00	23.50	1000PCS
B2500HM010AMP69008	22.50	26.00	1000PCS
B2500HM011AMP69008	25.00	28.50	1000PCS
B2500HM012AMP69008	27.50	31.00	1000PCS
B2500HM013AMP69008	30.00	33.50	1000PCS
B2500HM014AMP69008	32.50	36.00	1000PCS
B2500HM015AMP69008	35.00	38.50	1000PCS
B2500HM016AMP69008	37.50	41.00	1000PCS



B2500 SCN



CSG PART NO.	Wire Range	Insulation O.D.	Q'ty/Reel
B2500FTATP008	AWG#22-#28	1.70mm(max)	10000PCS



CSG PART NO.	Wire Range	Insulation O.D.	Q'ty/Reel
B2500FDATP008	AWG#22-#28	1.70mm(max)	10000PCS

