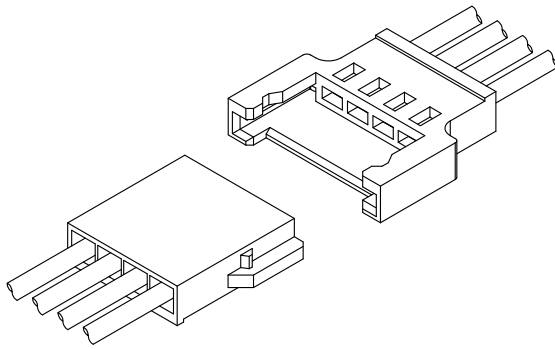


C2000 51005 CONNECTOR

2.00mm Pitch/Disconnectable Crimp style connectors



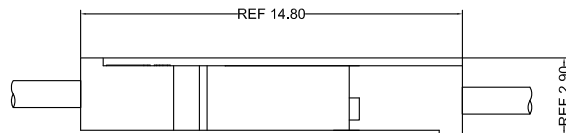
 E529482

Specifications:

- Current rating: 2 A AC,DC (AWG #24)
 - Voltage rating: 125 V AC/DC
 - Temperature range: $-40^{\circ}\text{C} \sim +105^{\circ}\text{C}$
(including temperature rise in applying electrical current)
 - Contact resistance: Initial value/ $20\text{m}\Omega$ max
After environmental testing/ $20\text{m}\Omega$ max
 - Insulation resistance: $1000\text{M}\Omega$ min
 - Withstanding voltage: 500 VAC/minute
 - Applicable wire: Conductor size/ AWG#28~#24
Insulation O.D./ 0.76 to 1.15 mm
- * Compliant with RoHS2/ HF/ REACH
* Refer to "General Instruction and Notice when using Terminals and Connectors"
* Contact CSG for details

Material:

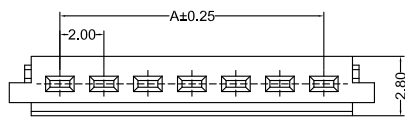
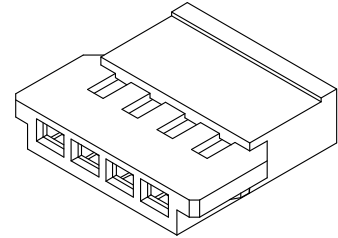
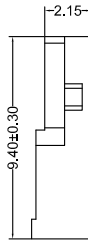
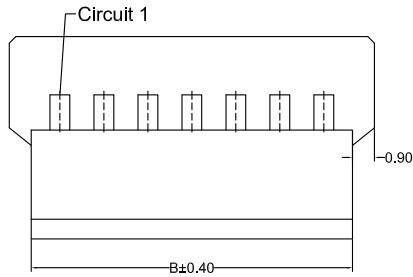
Housing: PA66/ PBT UL94-V0;Color:White/ Black
Terminal: Phosphor/ Tin-plated



- Note: 1. The above figure is the figure viewed from the connector mounting side.
2. Tolerances are non-cumulative: ± 0.08 mm for all centers.
3. The dimensions above should serve as a guideline. Contact CSG for details.

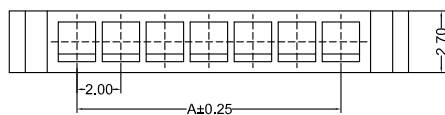
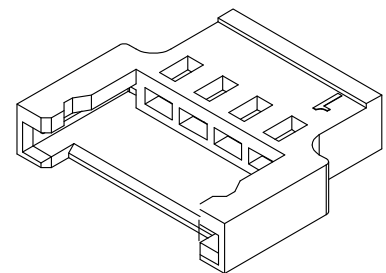
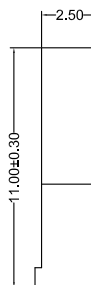
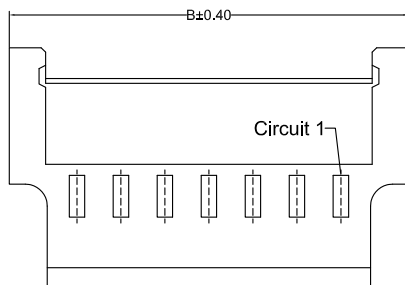
CSG

C2000 51005



C2000HF 0XX AA XX X XXX
 PIN
 005=5PINS
 SPECIAL
 AA=NO Special
 Material
 P6=PA66 94V-0
 PB=PBT 94V-0
 Code
 005
 008
 Color
 9=White
 0=Black

CSG PART NO.	Dimension mm		Qty/BAG
	A	B	
C2000HF002AAXXXXXX	2.00	4.60	1000PCS
C2000HF003AAXXXXXX	4.00	6.60	1000PCS
C2000HF004AAXXXXXX	6.00	8.60	1000PCS
C2000HF005AAXXXXXX	8.00	10.60	1000PCS
C2000HF006AAXXXXXX	10.00	12.60	1000PCS
C2000HF007AAXXXXXX	12.00	14.60	1000PCS
C2000HF008AAXXXXXX	14.00	16.60	1000PCS
C2000HF009AAXXXXXX	16.00	18.60	1000PCS
C2000HF010AAXXXXXX	18.00	20.60	1000PCS
C2000HF011AAXXXXXX	20.00	22.60	1000PCS
C2000HF012AAXXXXXX	22.00	24.60	1000PCS
C2000HF013AAXXXXXX	24.00	26.60	1000PCS
C2000HF014AAXXXXXX	26.00	28.60	1000PCS
C2000HF015AAXXXXXX	28.00	30.60	1000PCS

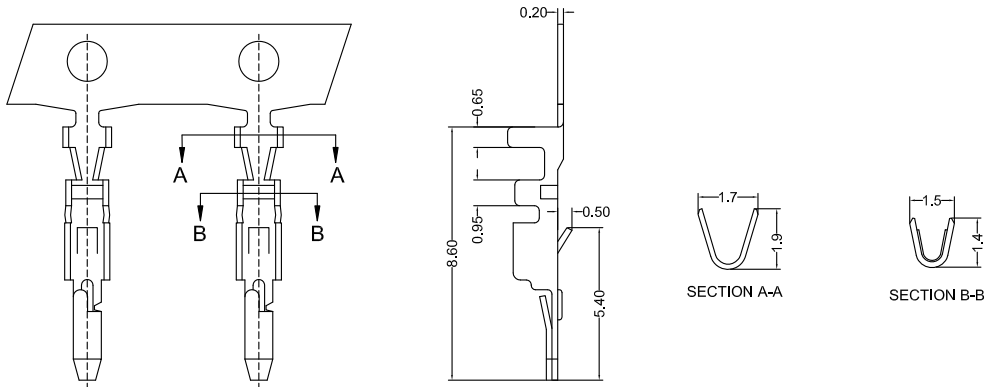


C2000HM 0XX AA XX X XXX
 PIN
 005=5PINS
 SPECIAL
 AA=NO Special
 Material
 P6=PA66 94V-0
 PB=PBT 94V-0
 Code
 005
 008
 Color
 9=White
 0=Black

CSG PART NO.	Dimension mm		Qty/BAG
	A	B	
C2000HM002AAXXXXXX	2.00	8.15	1000PCS
C2000HM003AAXXXXXX	4.00	10.15	1000PCS
C2000HM004AAXXXXXX	6.00	12.15	1000PCS
C2000HM005AAXXXXXX	8.00	14.15	1000PCS
C2000HM006AAXXXXXX	10.00	16.15	1000PCS
C2000HM007AAXXXXXX	12.00	18.15	1000PCS
C2000HM008AAXXXXXX	14.00	20.15	1000PCS
C2000HM009AAXXXXXX	16.00	22.15	1000PCS
C2000HM010AAXXXXXX	18.00	24.15	1000PCS
C2000HM011AAXXXXXX	20.00	26.15	1000PCS
C2000HM012AAXXXXXX	22.00	28.15	1000PCS
C2000HM013AAXXXXXX	24.00	30.15	1000PCS
C2000HM014AAXXXXXX	26.00	32.15	1000PCS
C2000HM015AAXXXXXX	28.00	34.15	1000PCS



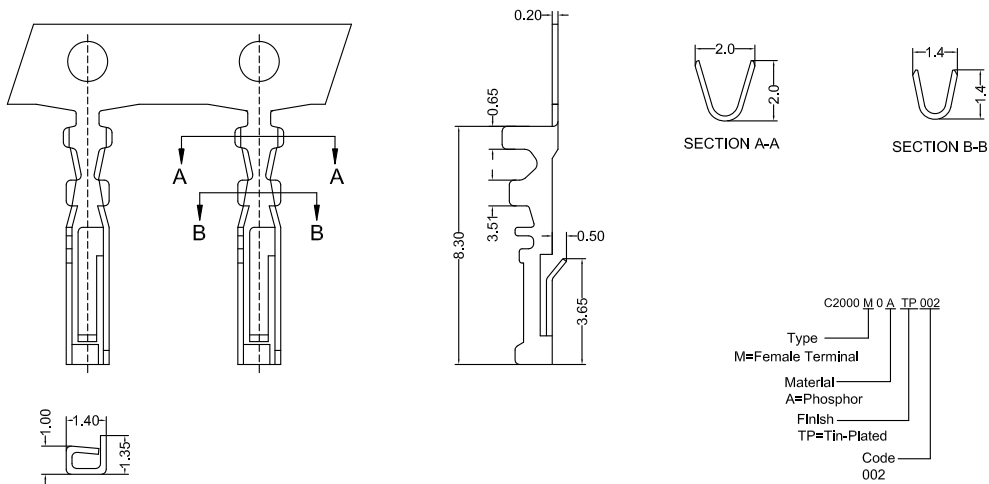
C2000 51005



C2000 F 0 A TP 197 XXX

- Type — F=Male Terminal
- Material — A=Phosphor
- Finish — TP=Tin-Plated
- Code — 197
008

CSG PART NO.	Wire Range	Insulation O.D.	Q'ty/Reel
C2000F0ATP197	AWG#24-#28	1.15mm(max)	10000PCS
C2000F0ATP008	AWG#24-#28	1.15mm(max)	13000PCS



C2000 M 0 A TP 002

- Type — M=Female Terminal
- Material — A=Phosphor
- Finish — TP=Tin-Plated
- Code — 002

CSG PART NO.	Wire Range	Insulation O.D.	Q'ty/Reel
C2000M0ATP002	AWG#24-#28	1.15mm(max)	10000PCS

