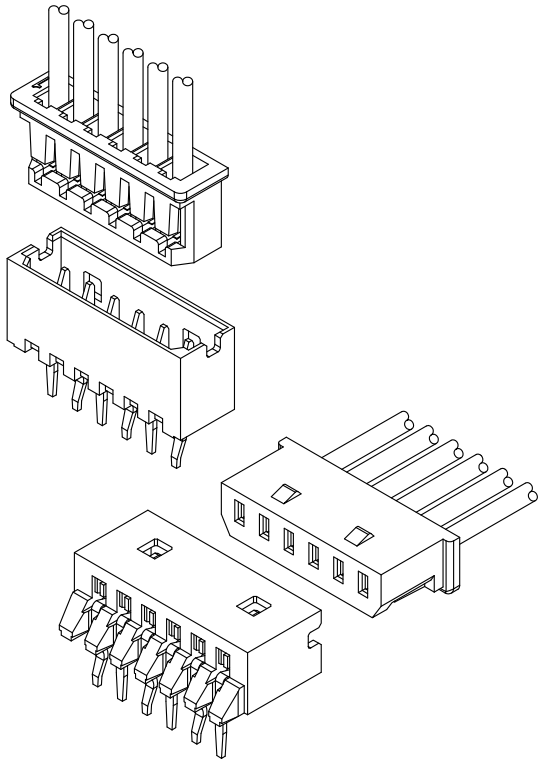


# A2000 51004 CONNECTOR

2.00mm Pitch/Disconnectable Crimp style connectors



- Secure locking structure
- Low insertion force
- Suction area for picking up
- Improvement of engagement with prying

## Specifications: \_\_\_\_\_

- Current rating: 2.0 A / AC,DC (AWG #24)
- Voltage rating: 125 V AC/DC
- Temperature range: -40°C ~ +105°C  
(including temperature rise in applying electrical current)
- Contact resistance: Initial value/ 20m Ω max  
Insulation resistance: 1000 MΩ min  
Withstanding voltage: 800 VAC/minute  
Applicable wire: Conductor size/ AWG#30~#24  
Insulation O.D./ 0.70 to 1.40 mm

- \* Compliant with RoHS2/ REACH
- \* Refer to "General Instruction and Notice when using Terminals and Connectors"
- \* Contact CSG for details

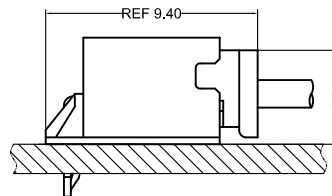
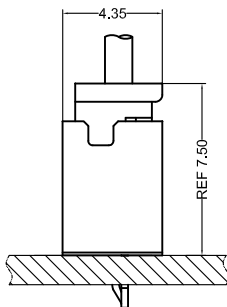
Material: \_\_\_\_\_

Housing: PA66/UL94-V0;Color:White

Terminal: Phosphor/ Tin-plated

DIP Wafer Housing: PA66,UL94-V0;Color:Beige

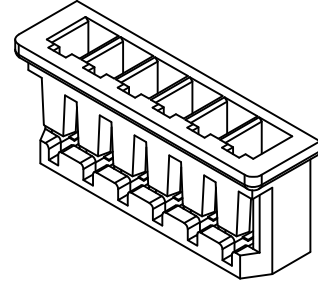
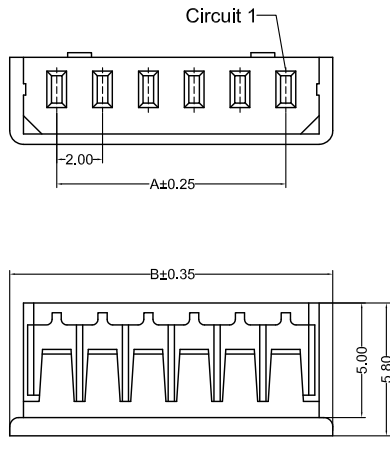
DIP Wafer Pin: Brass/ Tin-plated



- Note: 1. The above figure is the figure viewed from the connector mounting side.  
2. Tolerances are non-cumulative:  $\pm 0.08$  mm for all centers.  
3. The dimensions above should serve as a guideline. Contact CSG for details.

**CSG**

# A2000 51004



A2000HF 0XX AA P6 9 010

PIN  
005=5PINS

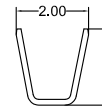
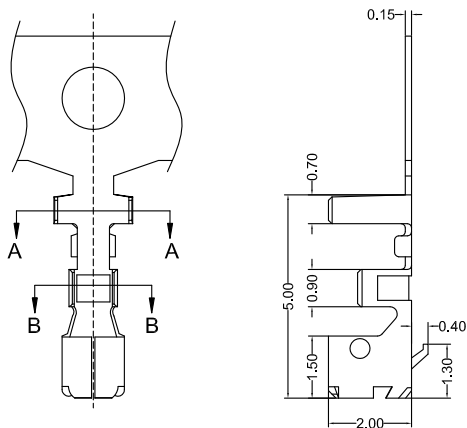
SPECIAL:  
AA=NO Special

Material  
P6=PA66 94V-0

Code  
010

Color  
9=White

CSG PART NO.	Dimension mm		Qty/BAG
	A	B	
A2000HF002AAP69010	2.00	6.00	1000PCS
A2000HF003AAP69010	4.00	8.00	1000PCS
A2000HF004AAP69010	6.00	10.00	1000PCS
A2000HF005AAP69010	8.00	12.00	1000PCS
A2000HF006AAP69010	10.00	14.00	1000PCS
A2000HF007AAP69010	12.00	16.00	1000PCS
A2000HF008AAP69010	14.00	18.00	1000PCS
A2000HF009AAP69010	16.00	20.00	1000PCS
A2000HF010AAP69010	18.00	22.00	1000PCS
A2000HF011AAP69010	20.00	24.00	1000PCS
A2000HF012AAP69010	22.00	26.00	1000PCS
A2000HF013AAP69010	24.00	28.00	1000PCS
A2000HF014AAP69010	26.00	30.00	1000PCS
A2000HF015AAP69010	28.00	32.00	1000PCS



SECTION A-A



SECTION B-B

A2000 M 0 A TP 002

Type  
M=Female Terminal

SPECIAL  
O=NO Special

Material  
A=Phosphor

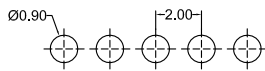
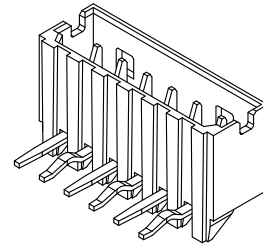
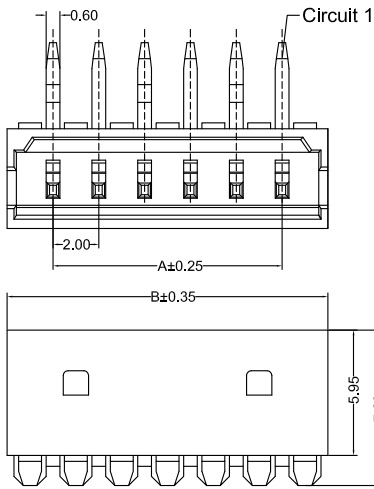
Finish  
TP=Tin-Plated

Code  
002

CSG PART NO.	Wire Range	Insulation O.D.	Qty/Reel
A2000M0ATP002	AWG#24-#30	1.40mm(max)	10000PCS



# A2000 51004

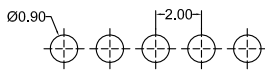
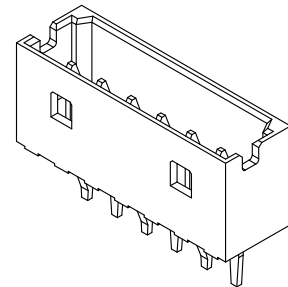
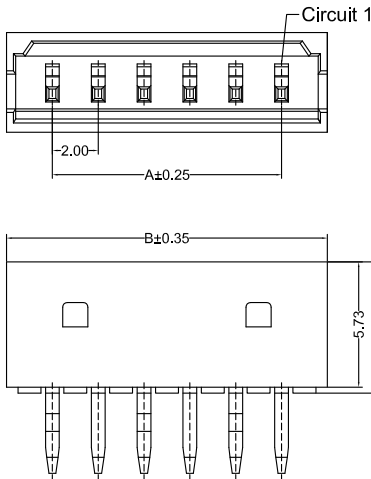


Recommended P.C.B Layout  
General Tolerance±0.05

A2000RD.0XX AA P6 TP X C 010

- PIN 002=2PINS
- SPECIAL AA=NO Special
- Material P6=PA66 94V-0
- Finish TP=Terminal Tin-Plated
- Code 010
- Color C=Beige
- Packing A=Tube Packing C=Bag

CSG PART NO.	Dimension mm		Qty/BAG
	A	B	
A2000RD002AAP6TPXC010	2.00	6.00	1000PCS
A2000RD003AAP6TPXC010	4.00	8.00	1000PCS
A2000RD004AAP6TPXC010	6.00	10.00	1000PCS
A2000RD005AAP6TPXC010	8.00	12.00	1000PCS
A2000RD006AAP6TPXC010	10.00	14.00	1000PCS
A2000RD007AAP6TPXC010	12.00	16.00	1000PCS
A2000RD008AAP6TPXC010	14.00	18.00	1000PCS
A2000RD009AAP6TPXC010	16.00	20.00	1000PCS
A2000RD010AAP6TPXC010	18.00	22.00	1000PCS
A2000RD011AAP6TPXC010	20.00	24.00	1000PCS
A2000RD012AAP6TPXC010	22.00	26.00	1000PCS
A2000RD013AAP6TPXC010	24.00	28.00	1000PCS
A2000RD014AAP6TPXC010	26.00	30.00	1000PCS
A2000RD015AAP6TPXC010	28.00	32.00	1000PCS



Recommended P.C.B Layout  
General Tolerance±0.05

A2000VD.0XX AA P6 TP X C 010

- PIN 002=2PINS
- SPECIAL AA=NO Special
- Material P6=PA66 94V-0
- Finish TP=Terminal Tin-Plated
- Code 010
- Color C=Beige
- Packing A=Tube Packing C=Bag

CSG PART NO.	Dimension mm		Qty/BAG
	A	B	
A2000VD002AAP6TPXC010	2.00	6.00	1000PCS
A2000VD003AAP6TPXC010	4.00	8.00	1000PCS
A2000VD004AAP6TPXC010	6.00	10.00	1000PCS
A2000VD005AAP6TPXC010	8.00	12.00	1000PCS
A2000VD006AAP6TPXC010	10.00	14.00	1000PCS
A2000VD007AAP6TPXC010	12.00	16.00	1000PCS
A2000VD008AAP6TPXC010	14.00	18.00	1000PCS
A2000VD009AAP6TPXC010	16.00	20.00	1000PCS
A2000VD010AAP6TPXC010	18.00	22.00	1000PCS
A2000VD011AAP6TPXC010	20.00	24.00	1000PCS
A2000VD012AAP6TPXC010	22.00	26.00	1000PCS
A2000VD013AAP6TPXC010	24.00	28.00	1000PCS
A2000VD014AAP6TPXC010	26.00	30.00	1000PCS
A2000VD015AAP6TPXC010	28.00	32.00	1000PCS

