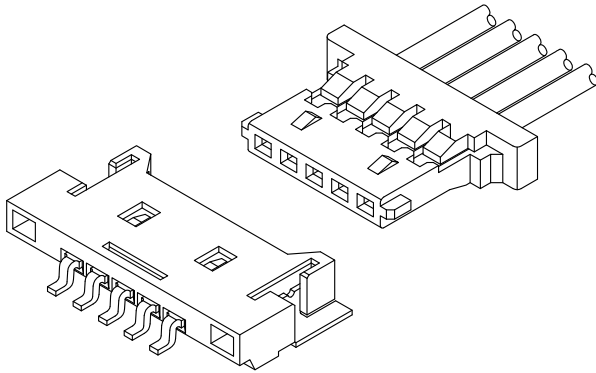


A1254 51146 CONNECTOR

1.25mm Pitch/Disconnectable Crimp style connectors

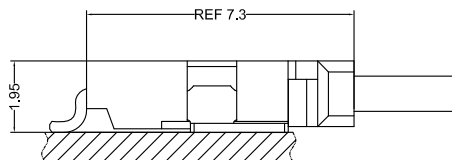


Specifications:

- Current rating: 1.0 A / AC,DC
- Voltage rating: 125 V AC/DC
- Temperature range: -40°C ~ +105°C
(including temperature rise in applying electrical current)
- Contact resistance: Initial value/ 20m Ω max
Insulation resistance: 100 M Ω min
Withstanding voltage: 500 VAC/minute
Applicable wire: Conductor size/ AWG#32~#28
Insulation O.D./ 0.38 to 0.90 mm
- * Compliant with RoHS2/ REACH/ HF
- * Refer to "General Instruction and Notice when using Terminals and Connectors"
- * Contact CSG for details

Material:

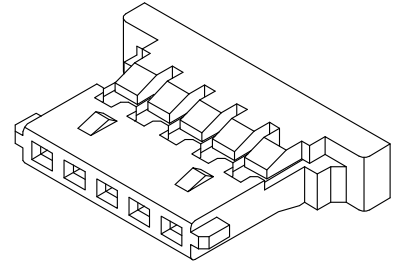
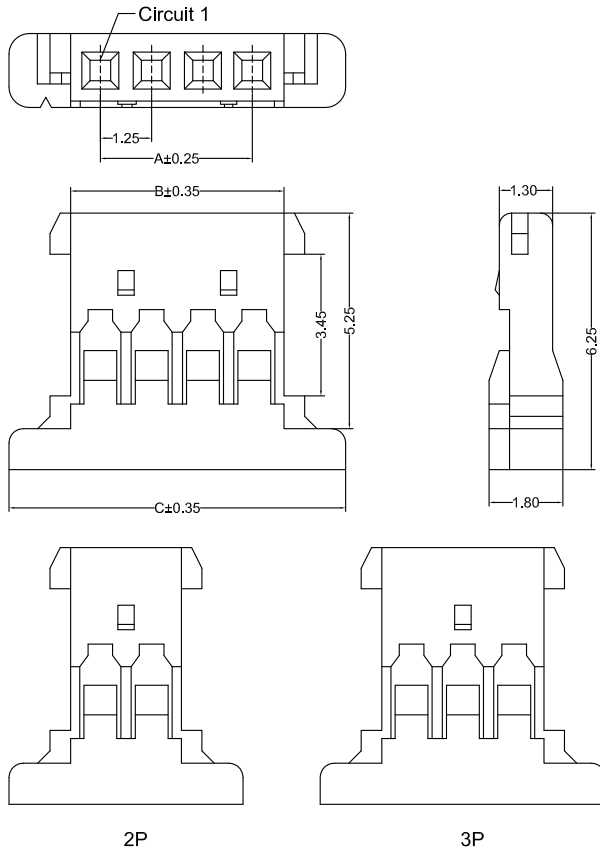
Housing: PA66/UL94-V0;Color:White/ Beige
Terminal: Phosphor/ Tin-plated,Gold-Plated
SMT Wafer Housing: LCP/ PA9T,UL94-V0;Color:Gray/ Beige
SMT Wafer Pin: Phosphor/ Tin-plated,Gold-Plated
Wafer Fixed Foot: Brass/ Tin-plated



- Note: 1. The above figure is the figure viewed from the connector mounting side.
2. Tolerances are non-cumulative: ± 0.08 mm for all centers.
3. The dimensions above should serve as a guideline. Contact CSG for details.

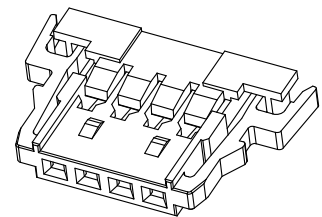
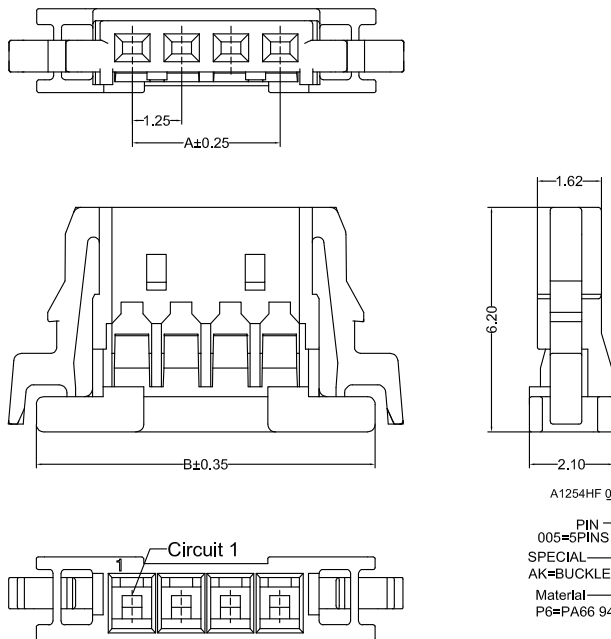
CSG

A1254 51146



A1254HF 0XX AA P6 X 005
 PIN
 005=5PINS
 SPECIAL
 AA=NO Special
 Material
 P6=PA66 94V-0
 Code
 005
 Color
 9=White
 C=Beige

CSG PART NO.	Dimension mm			Q'ty/BAG
	A	B	C	
A1254HF002AAP6X005	1.25	2.72	5.72	1000PCS
A1254HF003AAP6X005	2.50	3.97	6.97	1000PCS
A1254HF004AAP6X005	3.75	5.22	8.22	1000PCS
A1254HF005AAP6X005	5.00	6.47	9.47	1000PCS
A1254HF006AAP6X005	6.25	7.72	10.72	1000PCS
A1254HF007AAP6X005	7.50	8.97	11.97	1000PCS
A1254HF008AAP6X005	8.75	10.22	13.22	1000PCS
A1254HF009AAP6X005	10.00	11.47	14.47	1000PCS
A1254HF010AAP6X005	11.25	12.72	15.72	1000PCS
A1254HF011AAP6X005	12.50	13.97	16.97	1000PCS
A1254HF012AAP6X005	13.75	15.22	18.22	1000PCS
A1254HF013AAP6X005	15.00	16.47	19.47	1000PCS
A1254HF014AAP6X005	16.25	17.72	20.72	1000PCS
A1254HF015AAP6X005	17.50	18.97	21.97	1000PCS
A1254HF020AAP6X005	23.75	25.22	28.22	1000PCS
A1254HF030AAP6X005	36.75	37.72	40.72	1000PCS

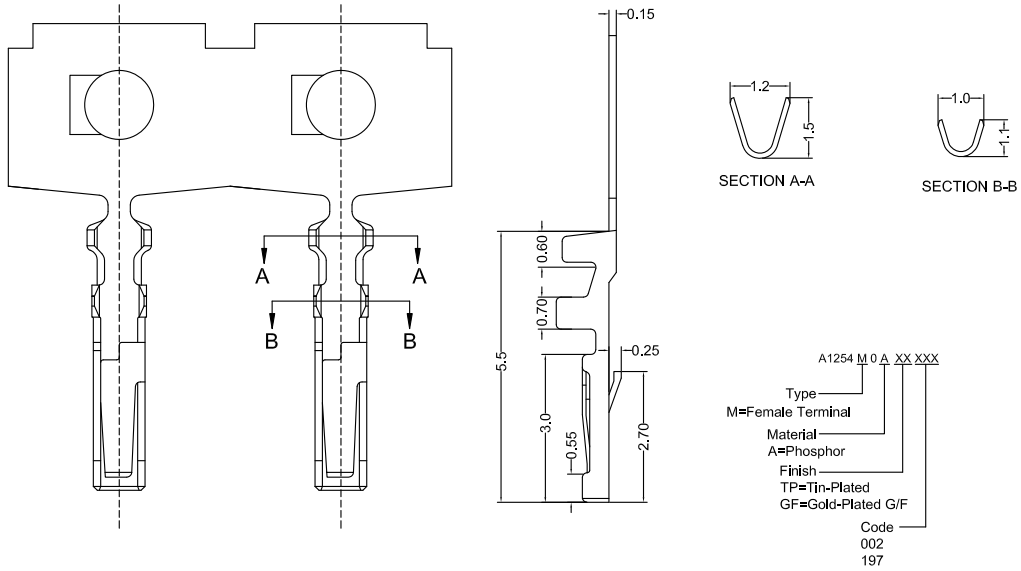


A1254HF 0XX AK P6 9 006
 PIN
 005=5PINS
 SPECIAL
 AK=BUCKLE
 Material
 P6=PA66 94V-0
 Code
 006
 Color
 9=White

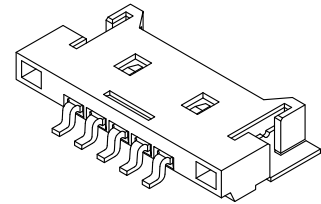
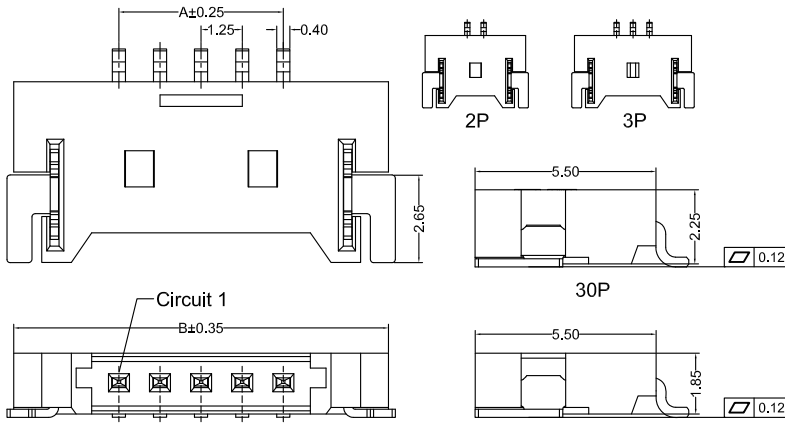
CSG PART NO.	Dimension mm		Q'ty/BAG
	A	B	
A1254HF002AKP69006	1.25	6.10	1000PCS
A1254HF003AKP69006	2.50	7.35	1000PCS
A1254HF004AKP69006	3.75	8.60	1000PCS
A1254HF005AKP69006	5.00	9.85	1000PCS
A1254HF006AKP69006	6.25	11.10	1000PCS
A1254HF007AKP69006	7.50	12.35	1000PCS
A1254HF008AKP69006	8.75	13.60	1000PCS
A1254HF009AKP69006	10.00	14.85	1000PCS
A1254HF010AKP69006	11.25	16.10	1000PCS
A1254HF011AKP69006	12.50	17.35	1000PCS
A1254HF012AKP69006	13.75	18.60	1000PCS
A1254HF013AKP69006	15.00	19.85	1000PCS
A1254HF014AKP69006	16.25	21.10	1000PCS
A1254HF015AKP69006	17.50	22.35	1000PCS
A1254HF020AKP69006	23.75	28.60	1000PCS
A1254HF030AKP69006	36.75	41.10	1000PCS



A1254 51146



CSG PART NO.	Wire Range	Insulation O.D.	Q'ty/Reel
A1254M0ATPXXX	AWG#28-#32	0.90mm(max)	15K/20KPCS
A1254M0AGFXXX	AWG#28-#32	0.90mm(max)	15K/20KPCS



A1254RS 0XX AA XX XX B X XXX

PIN
005=5PINS

SPECIAL
AA=NO Special

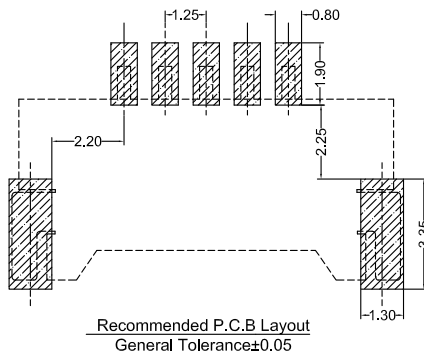
Material
LP=LCP 94V-0
9T=PA9T 94V-0

Finish
TP=Terminal Tin-Plated
GF=Terminal Gold-Plated

Code
112
168

Color
8=Gray
C=Beige

Packing
B=Tape & Reel



CSG PART NO.	Dimension mm		Q'ty/Reel
	A	B	
A1254RS002AAAXXXBXXXX	1.25	7.65	2K/2.5K
A1254RS003AAAXXXBXXXX	2.50	8.90	2K/2.5K
A1254RS004AAAXXXBXXXX	3.75	10.15	2K/2.5K
A1254RS005AAAXXXBXXXX	5.00	11.40	2K/2.5K
A1254RS006AAAXXXBXXXX	6.25	12.65	2K/2.5K
A1254RS007AAAXXXBXXXX	7.50	13.90	2K/2.5K
A1254RS008AAAXXXBXXXX	8.75	15.15	2K/2.5K
A1254RS009AAAXXXBXXXX	10.00	16.40	2K/2.5K
A1254RS010AAAXXXBXXXX	11.25	17.65	2K/2.5K
A1254RS011AAAXXXBXXXX	12.50	18.90	2K/2.5K
A1254RS012AAAXXXBXXXX	13.75	20.15	2K/2.5K
A1254RS013AAAXXXBXXXX	15.00	21.40	2K/2.5K
A1254RS014AAAXXXBXXXX	16.25	22.65	2K/2.5K
A1254RS015AA9TXXB168	17.50	23.90	2K
A1254RS020AA9TXXB168	23.75	30.15	2K
A1254RS030AA9TXXB168	36.75	42.65	2K

