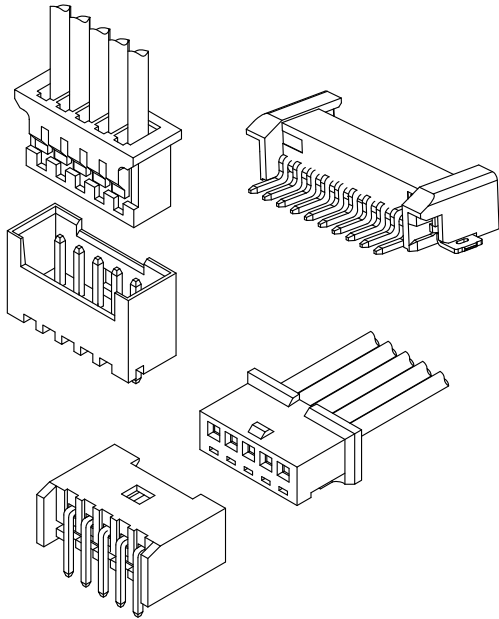


A1251 IL-Z CONNECTOR

1.25mm Pitch/Disconnectable Crimp style connectors



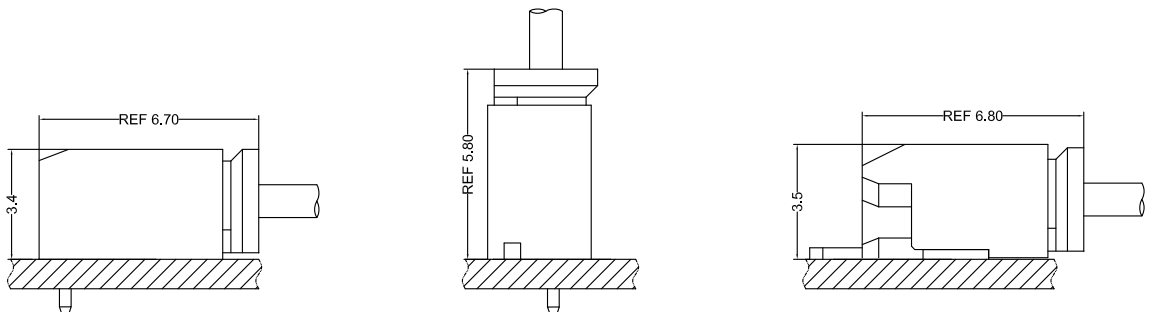
 E529482

Specifications:

- Current rating: 1.0 A / AC,DC
- Voltage rating: 200 V AC/DC
- Temperature range: -40°C ~ +105°C
(including temperature rise in applying electrical current)
- Contact resistance: Initial value/ 20m Ω max
Insulation resistance: 100 M Ω min
Withstanding voltage: 500 VAC/minute
Applicable wire: Conductor size/ AWG#32~#28
Insulation O.D./ 0.38 to 1.00 mm
- * Compliant with RoHS2/ REACH
- * Refer to "General Instruction and Notice when using Terminals and Connectors"
- * Contact CSG for details

Material:

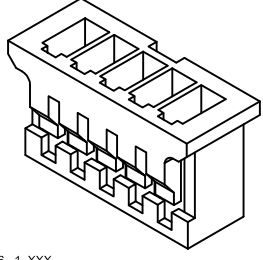
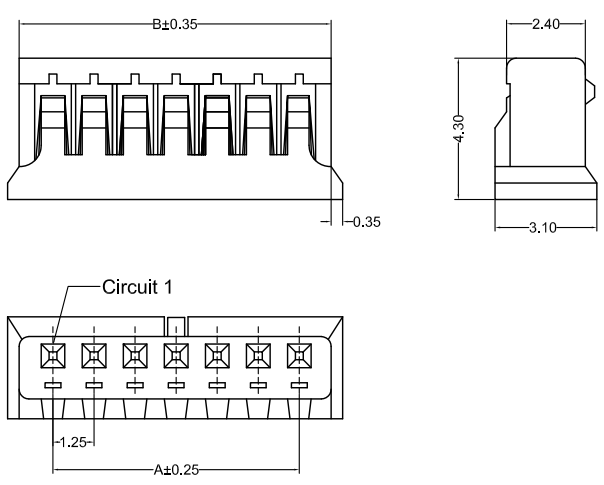
Housing: PA66/UL94-V0;Color: Brown
Terminal: Phosphor/ Tin-plated
DIP Wafer Housing: PA66/UL94-V0;Color: Brown
DIP Wafer Pin: Brass/ Tin-plated
SMT Wafer Housing: LCP/,UL94-V0;Color:Natural
SMT Wafer Pin: Phosphor/ Tin-plated
Wafer Fixed Foot: Brass/ Tin-plated



- Note: 1. The above figure is the figure viewed from the connector mounting side.
2. Tolerances are non-cumulative: ± 0.08 mm for all centers.
3. The dimensions above should serve as a guideline. Contact CSG for details.

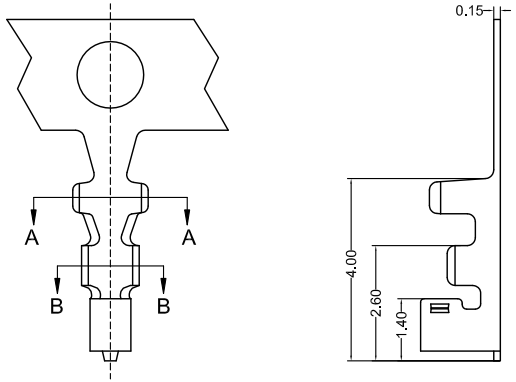
CSG

A1251 IL-Z



A1251HF 0XX AA P6 1 XXX
 PIN
 005=5PINS
 SPECIAL
 AA=NO Special
 Material
 P6=PA66 94V-0
 Code
 188
 079
 Color
 1=Brown

CSG PART NO.	Dimension mm		Q'ty/BAG
	A	B	
A1251HF002AAP61188	1.25	3.25	1000PCS
A1251HF003AAP61188	2.50	4.50	1000PCS
A1251HF004AAP61188	3.75	5.75	1000PCS
A1251HF005AAP61188	5.00	7.00	1000PCS
A1251HF006AAP61188	6.25	8.25	1000PCS
A1251HF007AAP61188	7.50	9.50	1000PCS
A1251HF008AAP61188	8.75	10.75	1000PCS
A1251HF009AAP61188	10.00	12.00	1000PCS
A1251HF010AAP61188	11.25	13.25	1000PCS
A1251HF011AAP61188	12.50	14.50	1000PCS
A1251HF012AAP61188	13.75	15.75	1000PCS
A1251HF013AAP61188	15.00	17.00	1000PCS
A1251HF014AAP61188	16.25	18.25	1000PCS
A1251HF015AAP61079	17.50	19.50	1000PCS

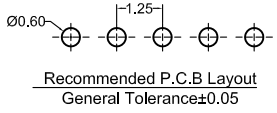
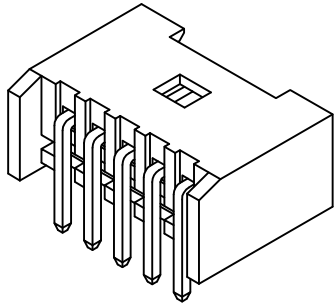
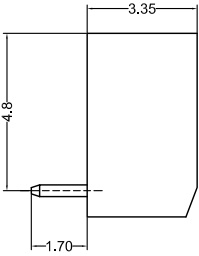
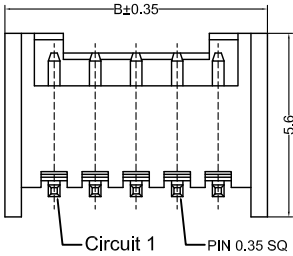
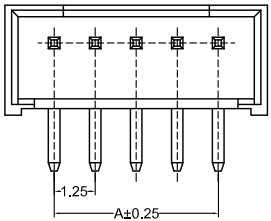


A1251 M 0 Δ TP 188
 Type
 M=Female Terminal
 Material
 A=Phosphor
 Finsh
 TP=Tin-Plated
 Code
 188

CSG PART NO.	Wire Range	Insulation O.D.	Q'ty/Reel
A1251M0ATP188	AWG#28-#32	1.00mm(max)	10000PCS



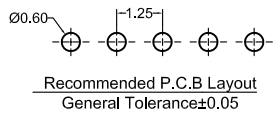
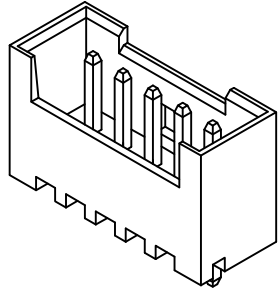
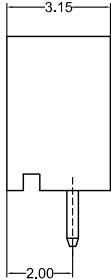
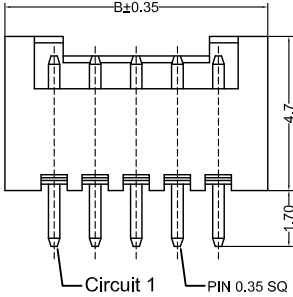
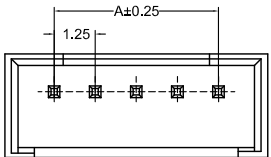
A1251 IL-Z



A1251RD_0XX AA P6 TP X 1 188

- PIN 005=5PINS
- SPECIAL AA=NO Special
- Material P6=PA66 94V-0
- Finish TP=Terminal Tin-Plated
- Code 188
- Color 1=Brown
- Packing C=Bag D=Box

CSG PART NO.	Dimension mm		Q'ty
	A	B	
A1251RD002AAP6TPX1188	1.25	4.25	1000PCS
A1251RD003AAP6TPX1188	2.50	5.50	1000PCS
A1251RD004AAP6TPX1188	3.75	6.75	1000PCS
A1251RD005AAP6TPX1188	5.00	8.00	1000PCS
A1251RD006AAP6TPX1188	6.25	9.25	1000PCS
A1251RD007AAP6TPX1188	7.50	10.50	1000PCS
A1251RD008AAP6TPX1188	8.75	11.75	1000PCS
A1251RD009AAP6TPX1188	10.00	13.00	1000PCS
A1251RD010AAP6TPX1188	11.25	14.25	1000PCS
A1251RD011AAP6TPX1188	12.50	15.50	1000PCS
A1251RD012AAP6TPX1188	13.75	16.75	1000PCS
A1251RD013AAP6TPX1188	15.00	18.00	1000PCS
A1251RD014AAP6TPX1188	16.25	19.25	1000PCS
A1251RD015AAP6TPX1188	17.50	20.50	1000PCS



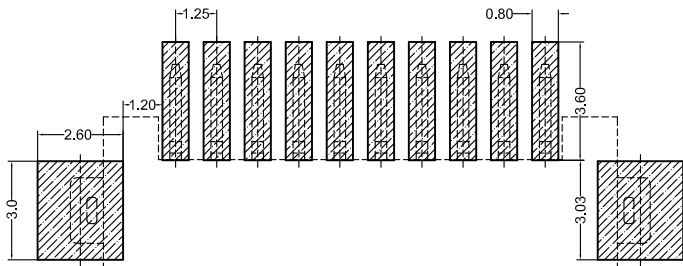
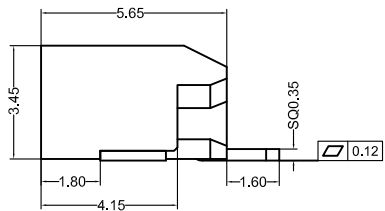
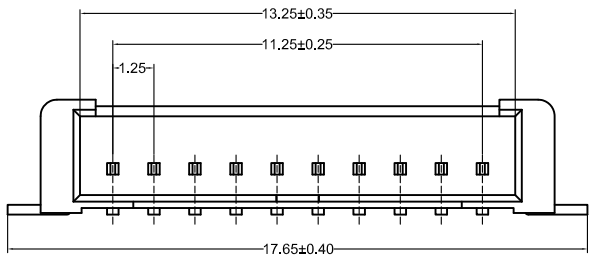
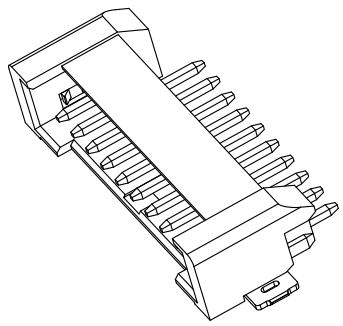
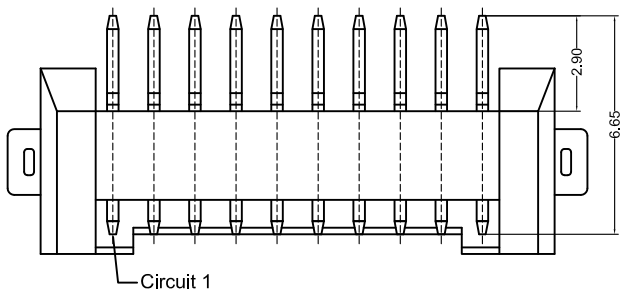
A1251VD_0XX AA P6 TP X 1 188

- PIN 005=5PINS
- SPECIAL AA=NO Special
- Material P6=PA66 94V-0
- Finish TP=Terminal Tin-Plated
- Code 188
- Color 1=Brown
- Packing C=Bag D=Box

CSG PART NO.	Dimension mm		Q'ty
	A	B	
A1251VD002AAP6TPX1188	1.25	4.25	1000PCS
A1251VD003AAP6TPX1188	2.50	5.50	1000PCS
A1251VD004AAP6TPX1188	3.75	6.75	1000PCS
A1251VD005AAP6TPX1188	5.00	8.00	1000PCS
A1251VD006AAP6TPX1188	6.25	9.25	1000PCS
A1251VD007AAP6TPX1188	7.50	10.50	1000PCS
A1251VD008AAP6TPX1188	8.75	11.75	1000PCS
A1251VD009AAP6TPX1188	10.00	13.00	1000PCS
A1251VD010AAP6TPX1188	11.25	14.25	1000PCS
A1251VD011AAP6TPX1188	12.50	15.50	1000PCS
A1251VD012AAP6TPX1188	13.75	16.75	1000PCS
A1251VD013AAP6TPX1188	15.00	18.00	1000PCS
A1251VD014AAP6TPX1188	16.25	19.25	1000PCS
A1251VD015AAP6TPX1188	17.50	20.50	1000PCS



A1251 IL-Z



Recommended P.C.B Layout
General Tolerance±0.05

A1251RS 010 AA LP TP B 8 001

- PIN 005=5PINS
- SPECIAL AA=NO Special
- Material LP=LCP 94V-0
- Finish TP=Terminal Tin-Plated
- Code 001
- Color 8=Gray
- Packing B=Tape & Reel

